

Lexmark M1145 and M3150 Monochrome Laser Printers



Impressive Performance.



Mono



Duplex
Printing



Up to
50 ppm



Security



2.4-Inch LCD
or 4.3-Inch
Touch Screen



Network



Eco-Mode



LEXMARK



Lexmark M1145 and M3150



Why Lexmark.

Founded in 1991 from an IBM heritage in Lexington, Kentucky, Lexmark is focused on delivering tailored solutions to solve the unique challenges businesses face. Lexmark's broad portfolio of high quality products, solutions, and services help improve productivity, increase efficiency and empower employees to perform at their best.



Eco-responsible.

Printing responsibly and reducing the impact of printing on the environment is a win for your business and your budget. Our goal is to design, package and deliver innovative products and solutions that produce high quality output with reliable performance. And at the same time, help you minimize the number of cartridges you use over the life of a printer and conserve paper and energy.

The Lexmark Cartridge Collection Program provides a variety of methods for free returns of your empty cartridges to Lexmark or our collection partners. Program availability and details vary by country.



Environmental protection is a shared responsibility.

Through work with industry groups, Lexmark helps guide the formation of standards and guiding principles for environmental sustainability.

Our memberships include

AeA Europe
Ecma International
Electronics Industry Citizenship Coalition (EICC)
DIGITALEUROPE
European Information & Communications Technology Industry Association (EICTA)
Information Technology Industry Council (ITI) Environmental Leadership Council



Lexmark M1145 and M3150 Overview



Compact power. The Lexmark M1145 and M3150 systems bring power and speed together in a space-saving size. Built to handle the requirements of a busy work environment, the M1145 and M3150 will produce high-quality professional output in next to no time.

- Process even the most complex jobs utilizing the 800MHz dual-core processing power and up to 3GB of memory
- Get work done quickly with print speeds up to 50 ppm and produce your first page in as little as 6.5 seconds
- Produce professional output with a system that delivers consistent image quality on a diverse range of materials
- Instant warm-up fuser helps reduce energy consumption and improve time to first page



Business productivity. The Lexmark M1145 and M3150 combine exceptional performance with time-saving applications designed to drive greater efficiency and simplify your work processes.

- With these systems, you can print from desktops as well as mobile devices that can run applications*
- A maximum input capacity of up to 2300 sheets and our state-of-the-art paper handling keeps jobs moving with reliable performance

*Optional software available. Licensing fees may apply.



Easy and intuitive. The Lexmark M1145 and M3150 are designed for easy operation to allow you to stay focused on customer engagements instead of routine maintenance.

- The easy to read 2.4-in color display or the intuitive 4.3-inch color touch screen with audible feedback make completing tasks simple
- Print preview on the M3150 helps you select documents or specific pages within a document to print only what you need
- Extend your environmental responsibility with energy-efficient settings such as the Hibernate Mode which reduces the energy usage to less than one watt
- Manage your devices with available software

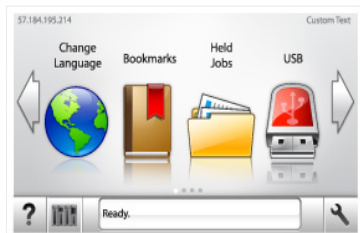


Propel your business forward

Our solutions are designed with your productivity in mind. The Lexmark M3150 Series platform lets you interact with business applications directly on the device or with a server, on premise or hosted in "the cloud". Reduce unnecessary printing and simplify work processes with Lexmark solutions.

Lexmark M3150 Solutions

Navigate to efficiency. The Lexmark color touch screen is a key access point to your device. The customizable, 4.3-inch interface gives you the ability to preview thumbnails of documents prior to printing, as well as change print job settings at the device. You can even view, select and print specific pages within a document directly from the touch screen. Its easy-to-use, intuitive navigation provides fast access to the functions and shortcuts.



M3150



The following are examples of preloaded solutions on M3150 printers.



Forms and Favorites

Eliminate waste and inefficiencies associated with preprinted forms. Store frequently printed forms, marketing materials or other documents online, then print them on demand.



Eco-Settings

Lets you change up to six different device settings to enhance environmental savings: Eco-Mode, two-sided printing, time to standby mode, time to Power Saver mode, screen brightness, and Quiet Mode.



Customer Support

This application provides you with an easy way to send information about your device to your authorized dealer or internal help desk.



Manage Address Book

Manage Address Book allows the Administrator to import and export e-mail shortcuts and fax shortcuts from a CSV file.

Additional Lexmark solutions are available through your authorized Lexmark Business Solutions Dealers.



Lexmark M3150 Vertical Solutions



Professional quality output is only part of the story

By leveraging our industry expertise, you can generate efficiency and increase productivity across business processes to gain the power you need to move ahead. Lexmark technology solutions are tailored to your business environment – where business interactions and decisions are happening.

Empower your employees with workflow solutions that refine work processes, capture critical data, and deliver information to the right place, at the right time, and in the right format.

Contact your Lexmark Business Solutions Dealer for specific vertical solutions*. Solutions are customized through your dealer.

* Optional software available. Licensing fees may apply.



Keep sensitive information and documents secure

Lexmark builds network devices with security in mind to protect your data and documents throughout your entire workflow. Our wide range of security functions include device management, device hardening and device operation.

Device management. Tools include administrative access and passwords, HTTPS, SNMPv3, IP security (IPSec), and 802.1x support to remotely monitor and manage device usage.

Device hardening. Includes port filtering, TCP connection filtering, hard disk encryption, hard disk wiping and digitally signed firmware updates that enhance the security of the device's network interface.

Device operation. Reduce vulnerabilities with authentication and authorization features, address book lookup via LDAP over SSL and device lockout for protection of user information.

Lexmark has shown its strength and leadership with respect to security.

- Forming and chairing the group that created the IEEE 2600 standards for security on hard copy devices.
- Becoming the first hard copy device manufacturer to take a holistic approach with the National Information Assurance Partnership (NIAP) Common Criteria evaluation.

Lexmark M1145 and M3150 Key Features

Features that help you optimize your work



M3150 with 4.3-inch color touch screen



1) Intuitive color display and touchscreen

Operate your device with ease through smart and intuitive navigation. Receive audible feedback when you use the touch screen.



2) Flexible media handling

Print on a range of media with built in 2-sided printing. Add additional input capacity to 2300 pages for higher volume printing needs.



3) Lexmark solutions

Reduce unnecessary printing and simplify work processes through solutions applications preloaded on your device. Choose additional Lexmark solutions to fit your unique workflow needs.



4) Direct USB

The front USB port allows for convenient walk-up preview and printing and is compatible with most printable image file formats.



M1145 with 2.4-inch LCD screen



5) Innovative Unison™ Toner

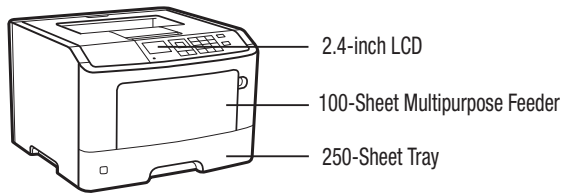
Advanced toner science – powerful enough to deliver consistently outstanding image quality, with a shake free print system.



6) Eco-friendly features

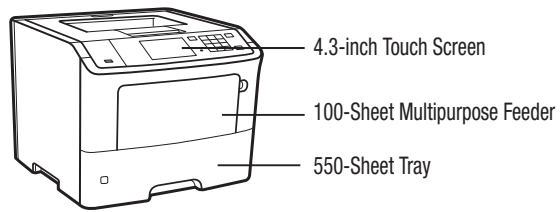
Easy-to-access features like Eco-Mode to reduce paper and toner consumption. The Sleep Button and Hibernate Mode make it easy to print responsibly and help you save energy.

Lexmark M1145 and M3150 Ordering Information



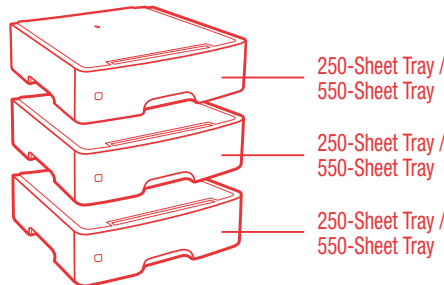
M1145

- 2.4-inch LCD
- 100-Sheet Multipurpose Feeder
- 250-Sheet Tray

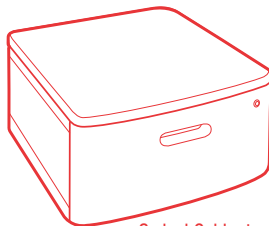


M3150

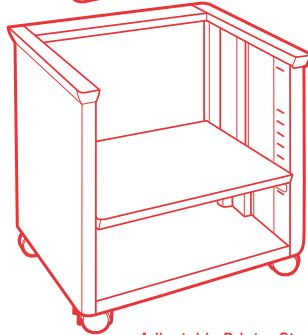
- 4.3-inch Touch Screen
- 100-Sheet Multipurpose Feeder
- 550-Sheet Tray



- 250-Sheet Tray / 550-Sheet Tray
- 250-Sheet Tray / 550-Sheet Tray
- 250-Sheet Tray / 550-Sheet Tray



Swivel Cabinet



Adjustable Printer Stand

- Standard
- Optional

M1145 and M3150 Series

Part #	Model
35S0040	Lexmark M1145
35S0041	Lexmark M3150

Part #	Laser Toner/Printer Cartridge
24B6035	Toner Cartridge (M1145)
24B6186	Toner Cartridge (M3150)
24B6040	Imaging Kit (M3150, M1145)

Part #	Paper Handling
35S0267	250-Sheet Tray (M3150, M1145)
35S0567	550-Sheet Tray (M3150, M1145)
35S8502	Adjustable Printer Stand (M3150, M1145)
3073173	Swivel Cabinet (M3150, M1145)

Part #	Memory Options
57X9101	256MB user Flash Memory (M3150, M1145)
57X9014	512MBx16 DDR3-DRAM (M3150, M1145)
57X9016	1024MBx32 DDR3-DRAM (M3150, M1145)
27X0210	160 + GB Hard Disk Drive (M3150)
57X9115	Japanese Font Card
57X9114	Korean Font Card
57X9112	Simplified Chinese Font Card
57X9110	Traditional Chinese Font Card

Part #	Application Solutions
35S2993	Card for IPDS (M1145)
34S4501	Card for IPDS (M3150)
35S2992	Forms and Bar Code Card (M1145)
34S4500	Forms and Bar Code Card (M3150)
35S2994	Card for PRESCRIBE Emulation (M1145)
34S4502	Card for PRESCRIBE Emulation (M3150)

Part #	Connectivity
27X0128	MarkNet N8352 802.11b/g/n Wireless Print Server (M1145, M3150)
27X0901	Parallel 1284-B Interface Card (M1145, M3150)
27X0900	RS-232C Serial Interface Card (M1145, M3150)
1021294	USB (2 Meter) Cable (M1145, M3150)

Part #	Service
40X8281	Maintenance Kit (M1145)
40X8434	Maintenance Kit (M3150)

Lexmark M1145 and M3150 Series Product Specifications



Product specifications

Lexmark M1145

Lexmark M3150

Product specifications	Lexmark M1145	Lexmark M3150
Printing		
Display	Lexmark 2.4-inch(60 mm) Color LCD	Lexmark e-task 4.3-inch (10.9 cm) color touch screen
Print Speed: Up to ⁴	Black: 45 ppm	Black: 50 ppm
Time to First Page: As fast as	Black: 6.5 seconds	
Print Resolution	600 x 600 dpi, 1200 Image Quality, 1200 x 1200 dpi, 2400 Image Quality	
Memory/ Processor Speed	Standard: 256 MB / Maximum: 1280 MB/ Processor: Dual Core, 800 MHz	Standard: 512 MB / Maximum: 2560 MB/ Processor: Dual Core, 800 MHz
Hard Disk	Not Available	Optional
Recommended Monthly Page Volume ²	1500-14000 pages	3000-16000 pages
Maximum Monthly Duty Cycle: Up to ³	80000 pages per month	150000 pages per month
Supplies		
Laser Cartridge Yield	16,000 ¹ -page Toner Cartridge	
Cartridge(s) Shipping with Product	Up to 6000 pages ¹ Starter Toner Cartridge	
Imaging Unit Estimated Yield: Up to	60000 pages, based on 3 average letter/A4-size pages per print job and ~5%	
Paper Handling		
Paper Handling Standard	250-Sheet Input, 100-Sheet Multipurpose Feeder, 150-Sheet Output Bin, Integrated Duplex	550-Sheet Input, 100-Sheet Multipurpose Feeder, 250-Sheet Output Bin, Integrated Duplex
Paper Handling Optional	250-Sheet Tray, 550-Sheet Tray	
Paper Input Capacity: Up to	Standard: 350 pages 20 lb or 75 gsm bond / Maximum: 2000 pages 20 lb or 75 gsm bond	Standard: 650 pages 20 lb or 75 gsm bond / Maximum: 2300 pages 20 lb or 75 gsm bond
Paper Output Capacity: Up to	Standard: 150 pages 20 lb or 75 gsm bond / Maximum: 150 pages 20 lb or 75 gsm bond	Standard: 250 pages 20 lb or 75 gsm bond / Maximum: 250 pages 20 lb or 75 gsm bond
Media Types Supported	Refer to the Card Stock & Label Guide, Card Stock, Envelopes, Paper Labels, Plain Paper, Transparencies	
Media Sizes Supported	10 Envelope, 7 3/4 Envelope, 9 Envelope, A4, A5, A6, DL Envelope, Executive, Folio, JIS-B5, Legal, Letter, Oficio, Statement, Universal	
General		
Standard Ports	USB 2.0 Specification Hi-Speed Certified (Type B), Gigabit Ethernet (10/100/1000)	One Internal Card Slot, USB 2.0 Specification Hi-Speed Certified (Type B), Front USB 2.0 Specification Hi-Speed Certified port (Type A), Rear USB 2.0 Specification Hi-Speed Certified port (Type A), Gigabit Ethernet (10/100/1000)
Optional Network Ports/Optional Local Ports	Internal MarkNet™ N8350 802.11b/g/n Wireless/ Internal RS-232C serial, Internal 1284-B Bidirectional Parallel	
Noise Level, Operating	Print: 55 dBA	
ENERGY STAR	Yes	
Specified Operating Environment	Temperature: 16 to 32°C (60 to 90°F), Humidity: 8 to 80% Relative Humidity, Altitude: 0 - 2896 Meters (9500 Feet)	
Size (in. - H x W x D) / Weight (lb.)	10.3 x 15.7 x 15.0 in. / 33.1 lb.	12.1 x 15.7 x 15.6 in. / 35.7lb.

¹Yield at approximately 5% print coverage. ²Recommended Monthly Page Volume* is a range of pages that helps customers evaluate Lexmark's product offerings based on the average number of pages customers plan to print on the device each month. Lexmark recommends that the number of pages per month be within the stated range for optimum device performance, based on factors including: supplies replacement intervals, paper loading intervals, speed, and typical customer usage. ³Maximum Monthly Duty Cycle* is defined as the maximum number of pages a device could deliver in a month using a multishift operation. This metric provides a comparison of robustness in relation to other Lexmark printers and MFPs. ⁴Print and copy speeds measured in accordance with ISO/IEC 24734, excludes first set of text documents. For more information see: www.lexmark.com/ISOspeeds.



Lexmark and Lexmark with the diamond design are trademarks of Lexmark International, Inc., registered in the United States and/or other countries. All other trademarks are the property of their respective owners. ENERGY STAR® is a U.S. registered mark. Information in this document is subject to change without notice. Unison is a trademark of Lexmark International, Inc. Information in this document is subject to change without notice.